

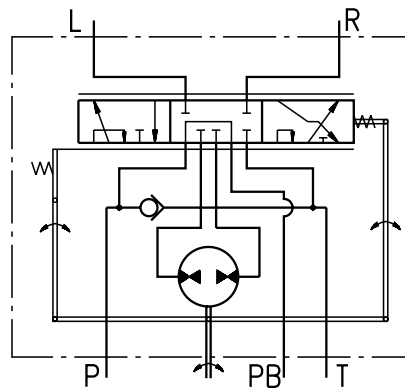
HYDROSTATIC STEERING UNIT TYPE HKU.../4PB



The hydrostatic steering unit is available for steering medium and large sized transport vehicles as building and agricultural machines.

HKU.../4PB works as standard steering unit with auxiliary port destined for flow providing additional vehicles functions. When the steering wheel is not turned, the flow will be delivered to port PB. After steering wheel has been turned a part of flow will be deviated to the steering unit and the flow through port PB will be inconstant.

It is not recommended to use this unit in systems with auxiliary functions during the vehicle steering.

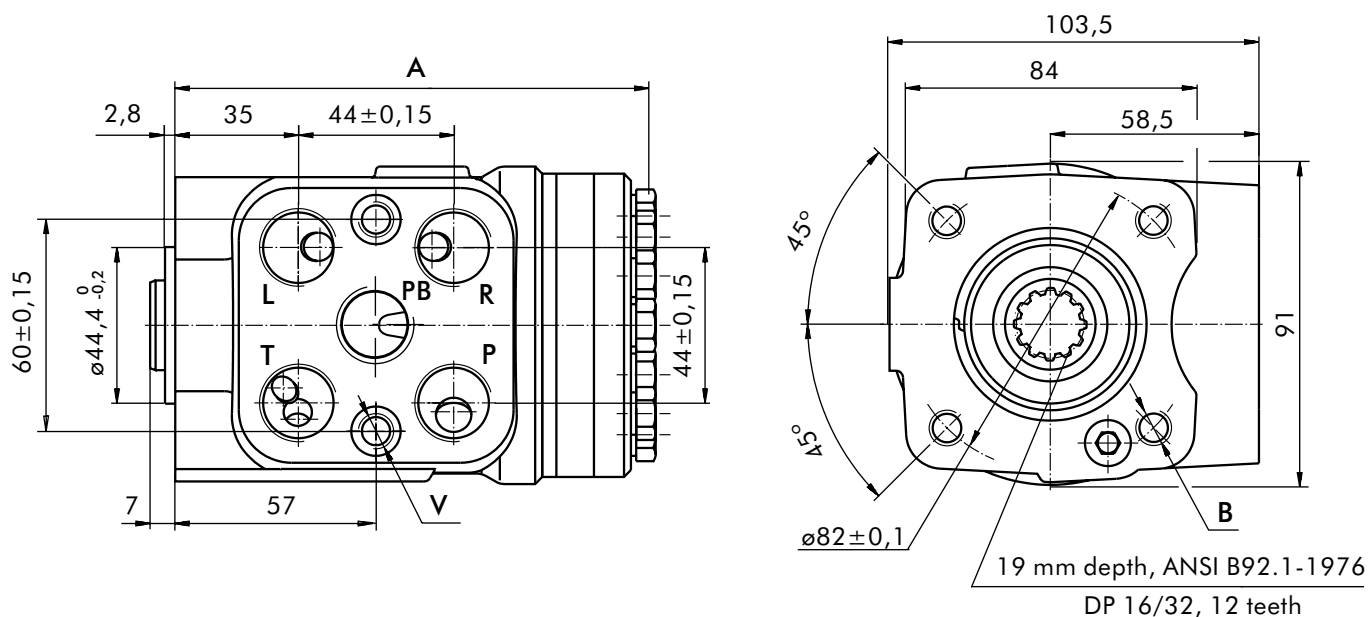


"Open Center - Non Load Reaction"
HKU.../4PB - Power Beyond

SPECIFICATION DATA

Parameters	Type					
	HKU 40/4PB	HKU 50/4PB	HKU 63/4PB	HKU 80/4PB	HKU 100/4PB	HKU 125/4PB
Displacement, [cm ³ /rev]	39,6	49,5	65,6	79,2	99,0	123,8
Rated Flow -5 Port (Power Beyond) [l/min]	15					
Rated Pressure, [bar]	125					
Max. Pressure in Line PB, [bar]	125					
Max. Cont. Pressure in Line T - P _T , [bar]	10					
Max. Torque at Servoamplifying, [Nm]	2,8 (by P _{T,max})					
Max. Torque w/o Servoamplifying, [Nm]	135					
Weight, [kg]	5,3	5,4	5,5	5,6	5,7	5,8
Dimension A, [mm]	130,8	132,2	133,9	136,2	138,8	142,2

DIMENSIONS AND MOUNTING DATA



THREADED PORTS for HKU.../4PB

code	Ports - P, T, R, L, PB Thread	Column Mounting Thread - B	Valve Mounting Thread - V
-	G3/8 17 mm depth	4 x M10 18 mm depth	2 x M10x1 16 mm depth
A	9/16 - 18 UNF O-ring 17 mm depth	4x 3/8 - 16 UNC 15,7 mm depth	2 x 3/8 - 24 UNF 14,2 mm depth

ORDER CODE for HKU.../4PB

	1	2	3	4	5
HKU		/ 4PB	-		

Pos.1 - Displacement code (see Specification Data)

40	- 39,6 [cm ³ /rev]
50	- 49,5 [cm ³ /rev]
63	- 65,6 [cm ³ /rev]
80	- 79,2 [cm ³ /rev]
100	- 99,0 [cm ³ /rev]
125	- 123,8 [cm ³ /rev]

Pos.2 - Versions

4PB - Version 4 "Open Center - Non Load Reaction" with 5 ports(Power Beyond)

Pos.3 - Ports

- omit - BSPP (ISO 228)
- A** - SAE (ANSI B 1.1 - 1982)

Pos.4 - Option (Paint)*

- omit - No Paint
- P** - Painted
- PC** - Corrosion Protected Paint

Pos.5 - Design Series

- omit - Factory specified

NOTES:

* Colour at customer's request.

The steering units are mangano-phosphatized as standard.